

### FEATURES

- ◆ The plastic package carries Underwriters Laboratory Flammability Classification 94V-0
- ◆ Metal silicon junction, majority carrier conduction
- ◆ Low power loss, high efficiency
- ◆ High forward surge current capability
- ◆ High temperature soldering guaranteed:  
250°C/10 seconds, 0.375" (9.5mm) lead length, 5 lbs. (2.3kg) tension

### Mechanical Data

**Case:** JEDEC SOD-123FL molded plastic body

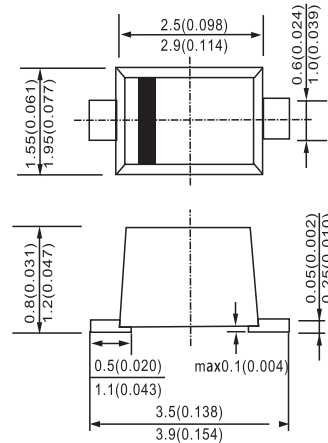
**Terminals:** Solderable per MIL-STD-750, Method 2026

**Polarity:** Color band denotes cathode end

**Mounting Position:** Any

**Weight:** 0.0007 ounce, 0.02 grams

### SOD-123FL



Dimensions in millimeters

## MAXIMUM RATINGS AND ELECTRICAL CHARACTERISTICS

Ratings at 25°C ambient temperature unless otherwise specified.  
Single phase half-wave 60Hz, resistive or inductive load, for capacitive load current derate by 20%.

Characteristic	SYMBOLS	DSS12	DSS13	DSS14	DSS15	DSS16	DSS17	DSS18	DSS19	DSS110	DSS115	DSS120	UNITS	
Maximum repetitive peak reverse voltage	$V_{RRM}$	20	30	40	50	60	70	80	90	100	150	200	VOLTS	
Maximum RMS voltage	$V_{RMS}$	14	21	28	35	42	49	56	63	70	105	140	VOLTS	
Maximum DC blocking voltage	$V_{DC}$	20	30	40	50	60	70	80	90	100	150	200	VOLTS	
Maximum average forward rectified current	$I_{AV}$	1.0											Amp	
Peak forward surge current 8.3ms single half sine-wave superimposed on rated load (JEDEC Method)	$I_{FSM}$	25.0											Amps	
Maximum instantaneous forward voltage at 1.0A	$V_F$	0.55		0.70			0.85			0.95			Volts	
Maximum DC reverse current $T_A=25^\circ\text{C}$ at rated DC blocking voltage $T_A=100^\circ\text{C}$	$I_R$	0.5					0.2							mA
Typical junction capacitance (NOTE 1)	$C_J$	110			80									pF
Operating junction temperature range	$T_J$	-65 to +125					-65 to +150							°C
Storage temperature range	$T_{STG}$	-65 to +150											°C	

**Note:** 1. Measured at 1MHz and applied reverse voltage of 4.0V D.C.



RATINGS AND CHARACTERISTIC CURVES DSS12 THRU DSS120

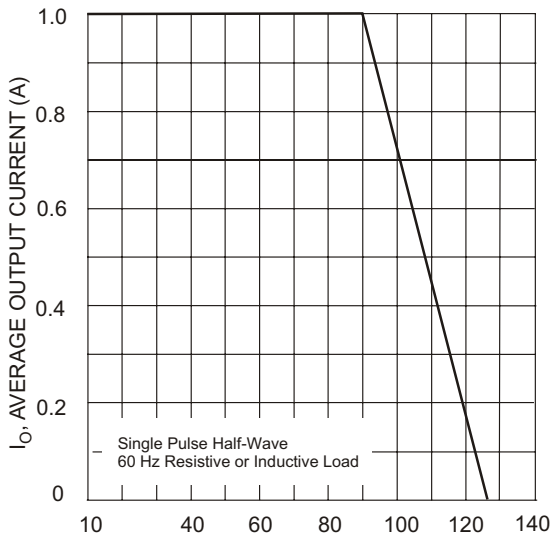


Fig. 1 Forward Current Derating Curve

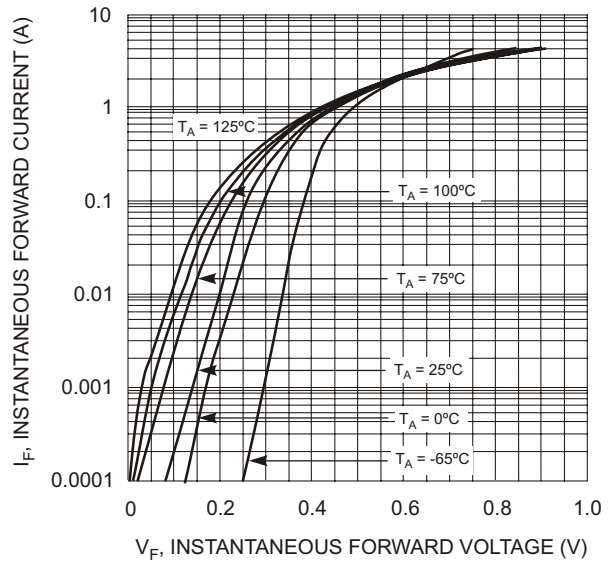


Fig. 2 Typical Forward Characteristics

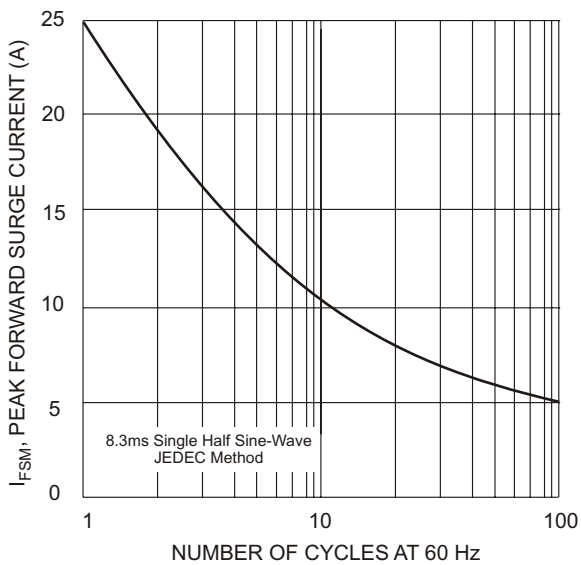


Fig. 3 Maximum Non-Repetitive Peak Fwd Surge Current

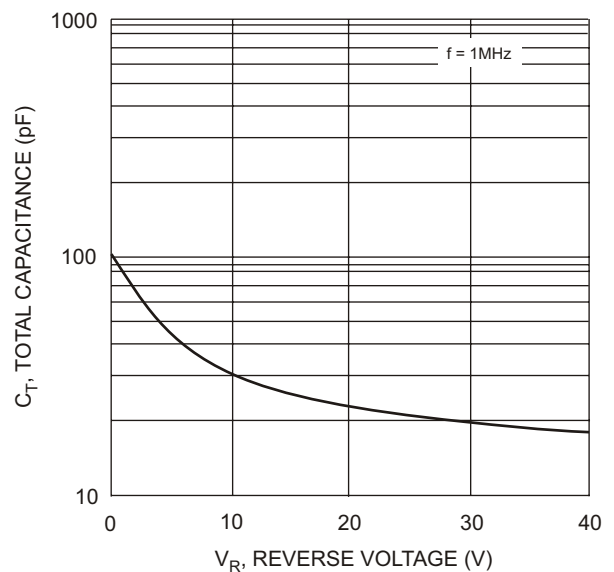


Fig. 4 Typical Total Capacitance