

## FEATURES

- Glass passivated device
- Ideal for surface mounted applications
- Low leakage current
- Metallurgically bonded construction
- High temperature soldering:  
/10 seconds at terminals

## Mechanical Data

Case: JEDEC SOD-123FL, molded plastic over passivated chip

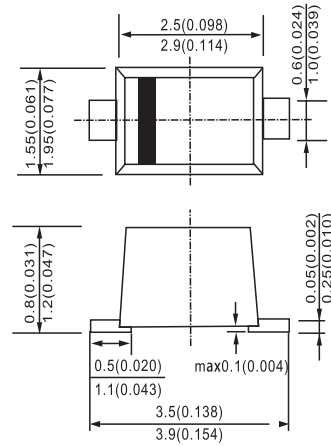
Terminals: Solder Plated, solderable per MIL-STD-750, Method 2026

Polarity: Color band denotes cathode end

Weight: 0.003 ounces, 0.01 gram

Mounting position: Any

SOD-123FL



Dimensions in millimeters

## MAXIMUM RATINGS AND ELECTRICAL CHARACTERISTICS

Ratings at 25 °C ambient temperature unless otherwise specified.

Single phase, half wave, 60Hz, resistive or inductive load. For capacitive load, derate current by 20%.

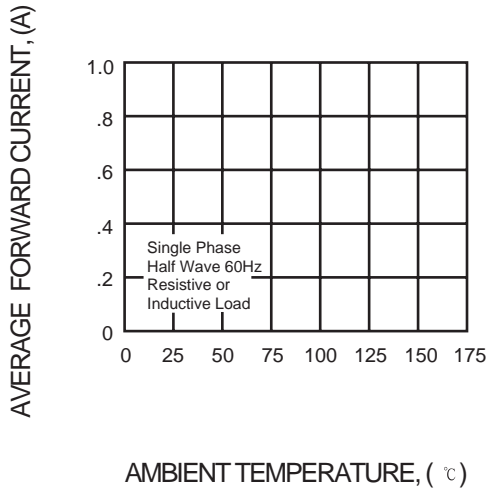
		SOD 1E1	SOD 1E2	SOD 1E3	SOD 1E4	SOD 1E5	SOD 1E6	SOD 1E7	SOD 1E8	UNITS
Device marking code		E1	E2	E3	E4	E5	E6	E7	E8	
Maximum recurrent peak reverse voltage	$V_{RRM}$	50	100	150	200	300	400	500	600	V
Maximum RMS voltage	$V_{RMS}$	35	70	105	140	210	280	350	420	V
Maximum DC blocking voltage	$V_{DC}$	50	100	150	200	300	400	500	600	V
Maximum average forward rectified current $T_A=65$	$I_{(AV)}$	1.0								A
Peak forward surge current 8.3ms single half-sine-wave superimposed on rated load $T_L=25$	$I_{FSM}$	25								A
Maximum instantaneous (NOTE 1) forward voltage at 1.0A	$V_F$	0.95			1.25		1.7			V
Maximum DC reverse current @ $T_A=25$ at rated DC blocking voltage @ $T_A=125$	$I_R$	5.0				150				$\mu$ A
Maximum reverse recovery time (NOTE 2)	$t_{rr}$	35								ns
Operating temperature range	$T_J$	- 55 --- + 150								
Storage temperature range	$T_{STG}$	- 55 --- + 150								

NOTES: 1. Pulse test: 300ms pulse width, 1% duty cycle.

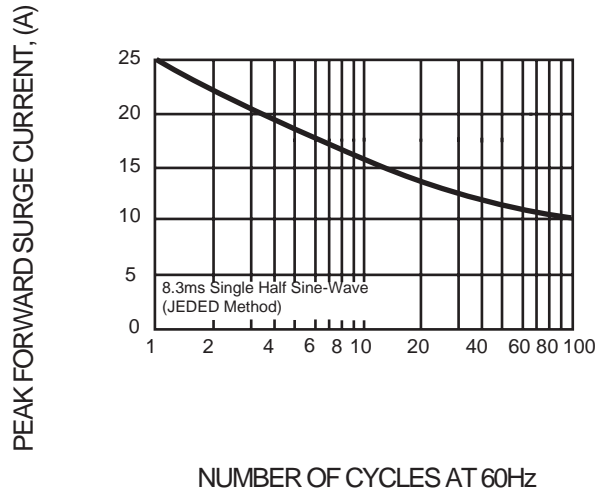
2. Measured with  $I_F=0.5A$ ,  $I_R=1A$ ,  $I_{rr}=0.25A$ .

**RATINGS AND CHARACTERISTIC CURVES SOD1E1 THRU SOD1E8**

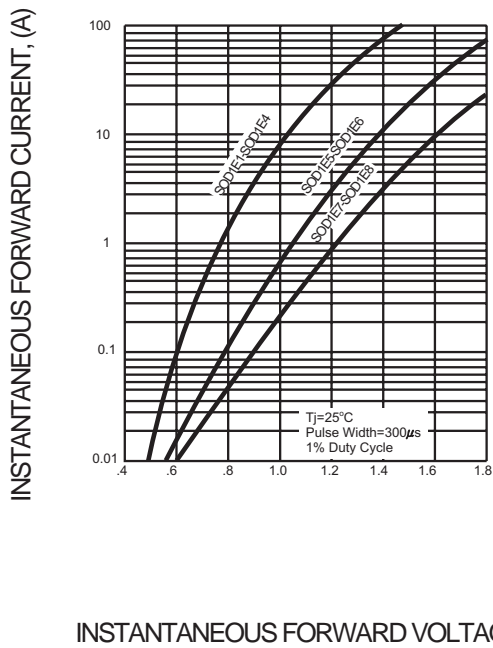
**FIG. 1 - TYPICAL FORWARD CURRENT DERATING CURVE**



**FIG. 2 - MAXIMUM NON-REPETITIVE FORWARD SURGE CURRENT**



**FIG. 3 - TYPICAL INSTANTANEOUS FORWARD CHARACTERISTICS**



**FIG. 4 - TYPICAL REVERSE CHARACTERISTICS**

